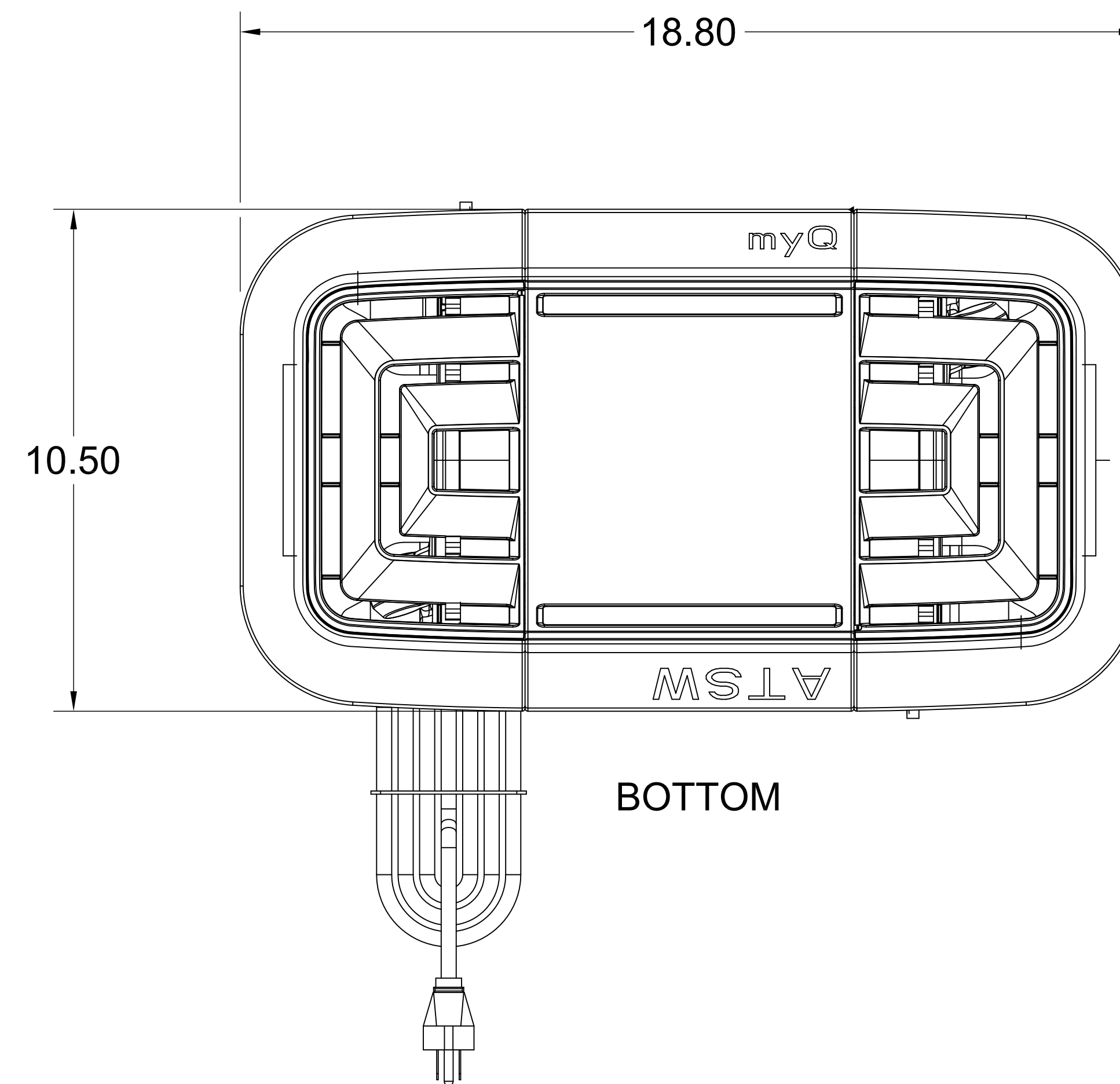
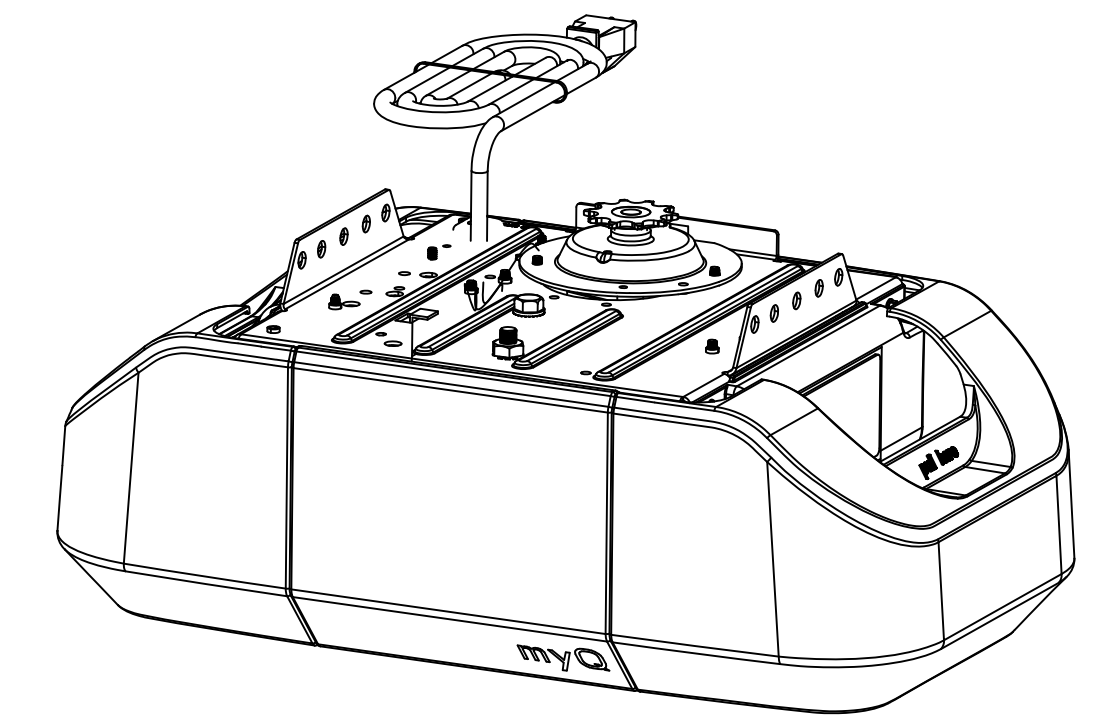


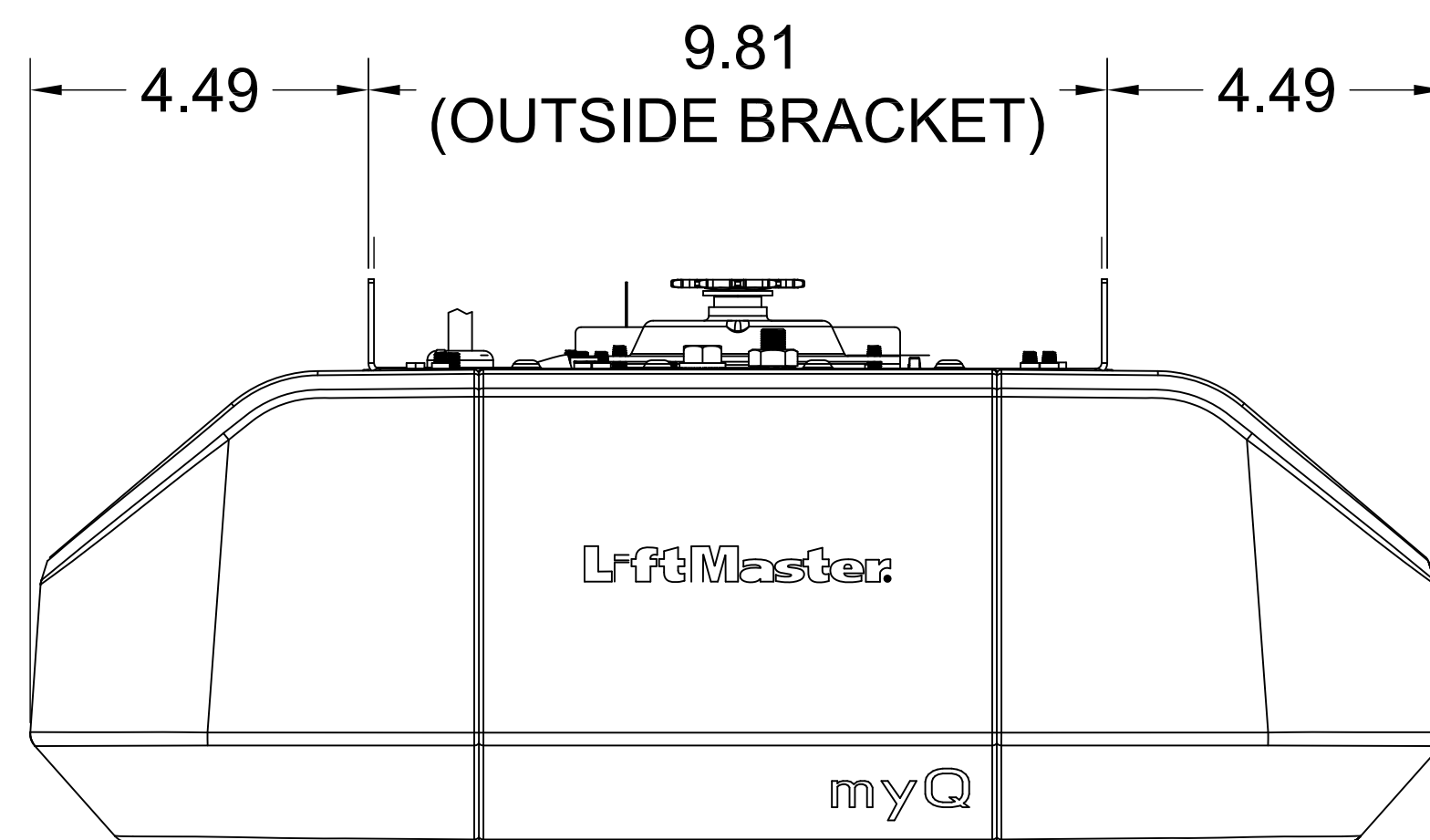
TOP



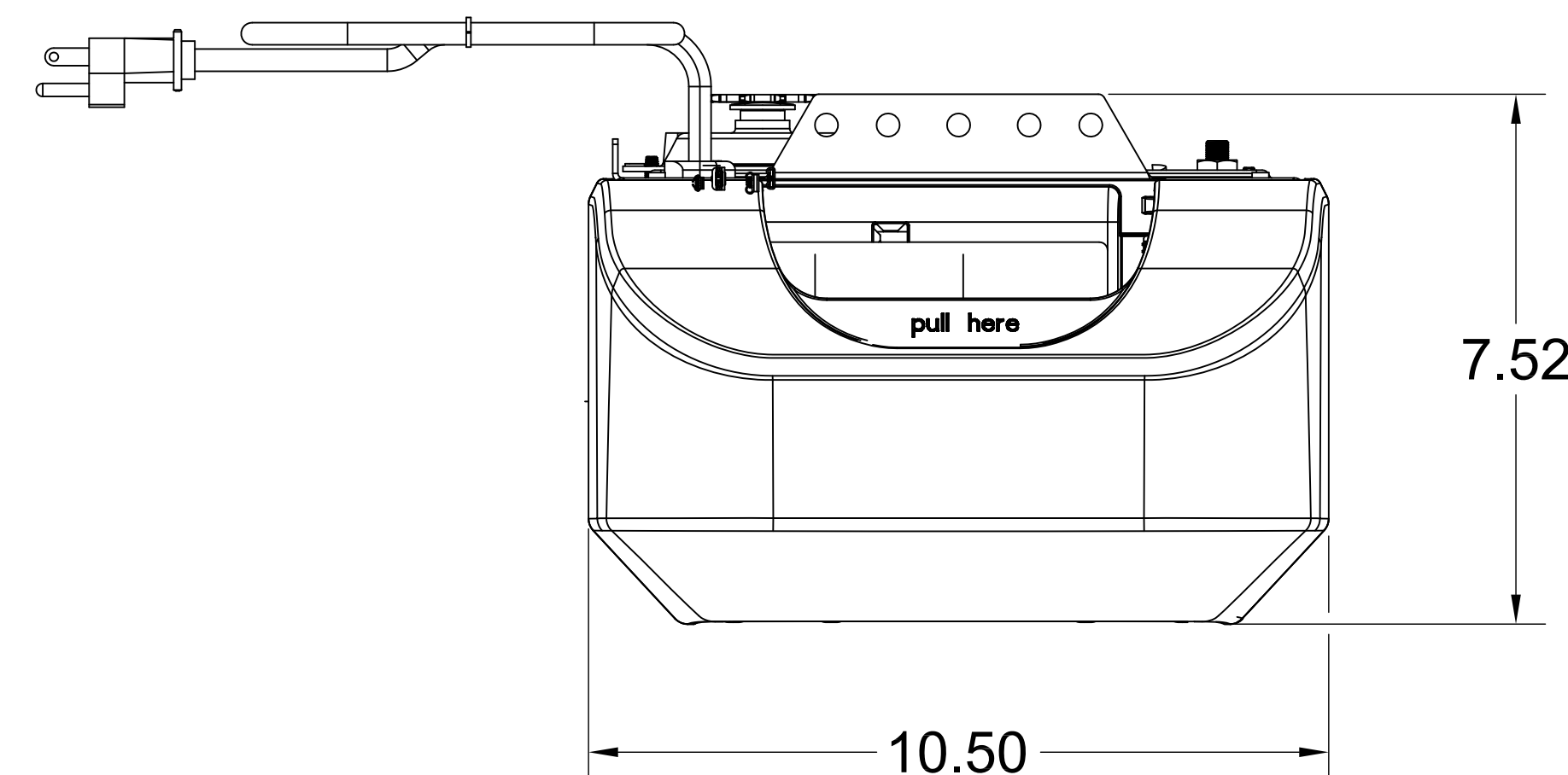
BOTTOM



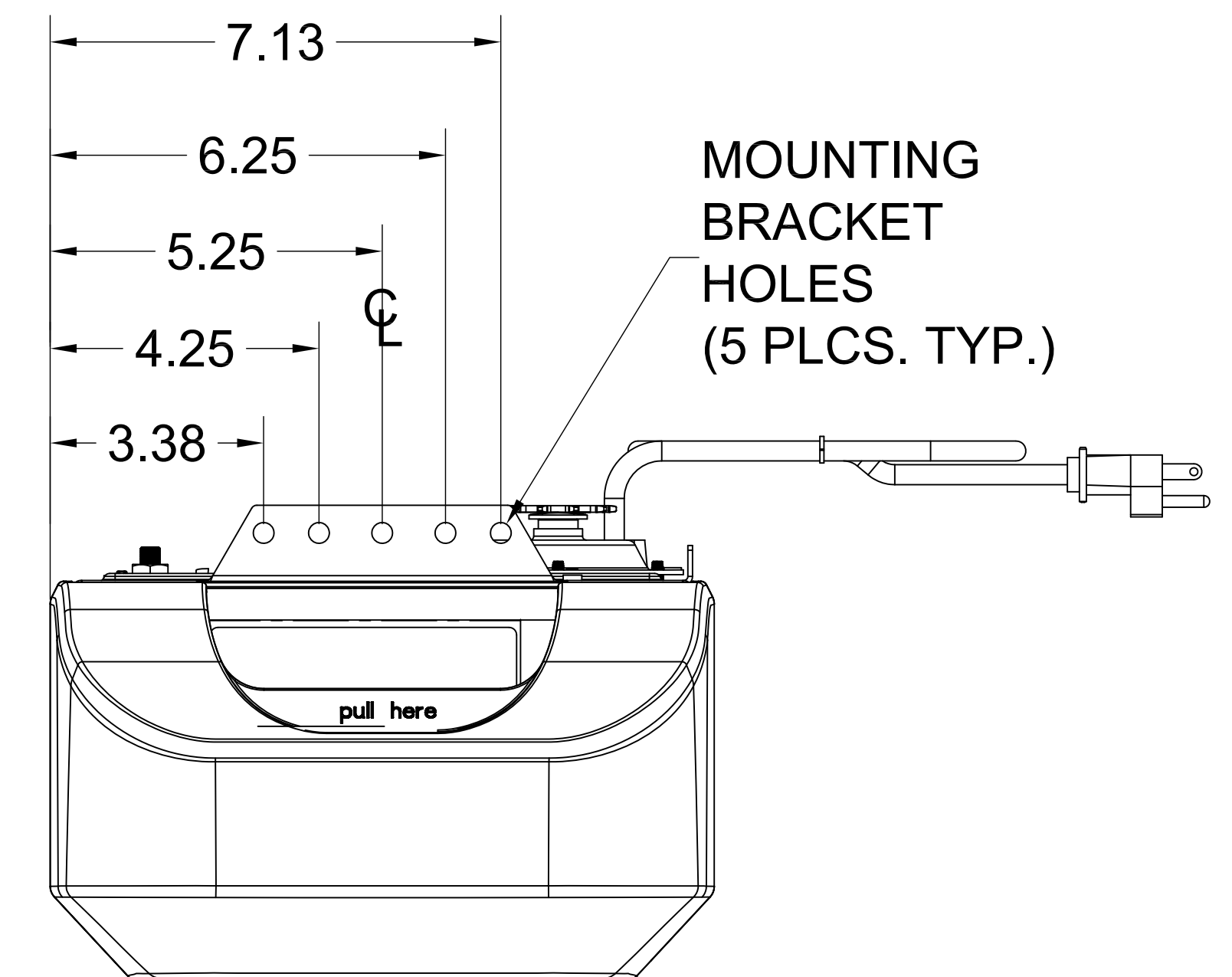
NOT TO SCALE



FRONT



LEFT



RIGHT

(ATSW - POWER HEAD ASSEMBLY) LIGHT DUTY OPERATOR

		300 WINDSOR DR. OAK BROOK, IL 60523 PHONE: (630) 418-6516 FAX: (630) 516-7059
LIFTMASTER (CHAMBERLAIN GROUP, INC.) ENGINEERED SERVICES		SHEET NO: <b>1/1</b>
DRW. BY: B. MOFFETT	REVISION:	
DATE: 5/16/2019	SCALE: NTS	
TITLE: LIFTMASTER (ATSW) OPERATOR		
CAD FILE: -		